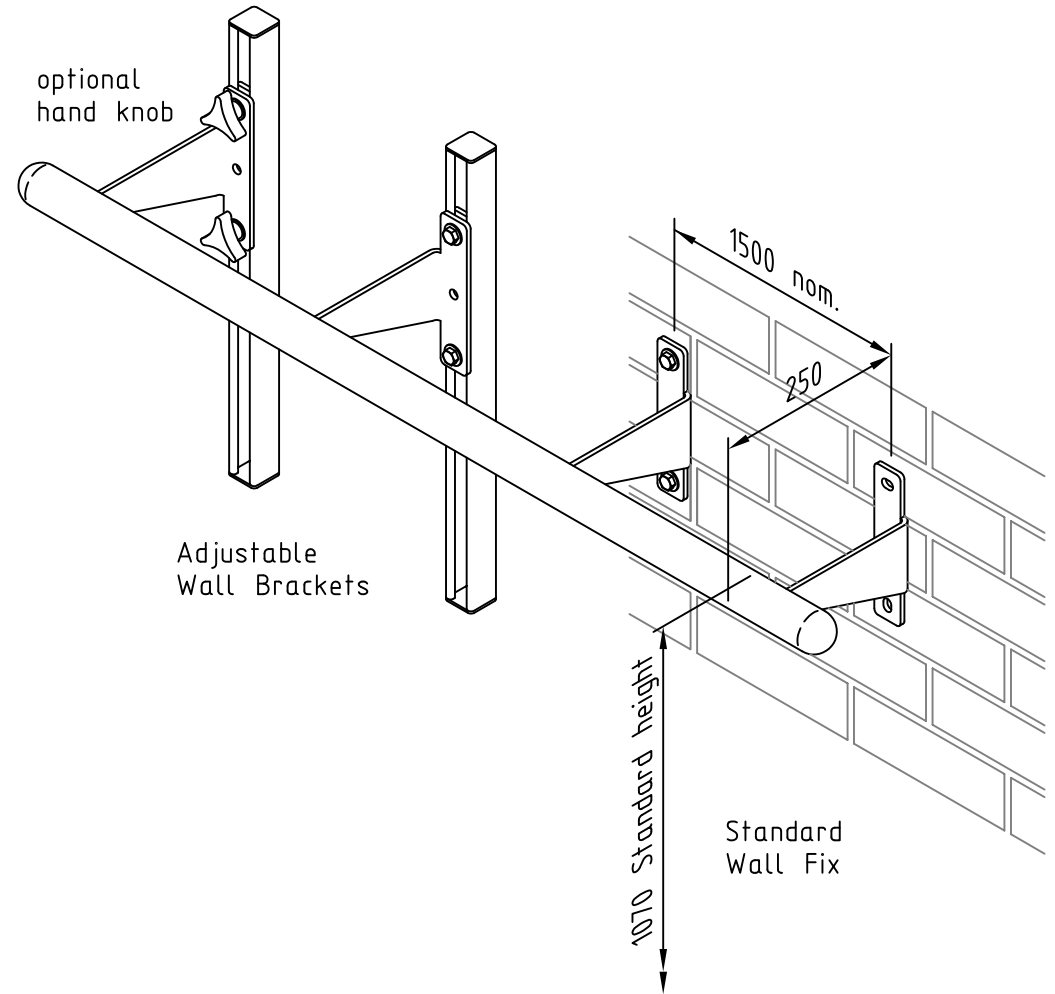
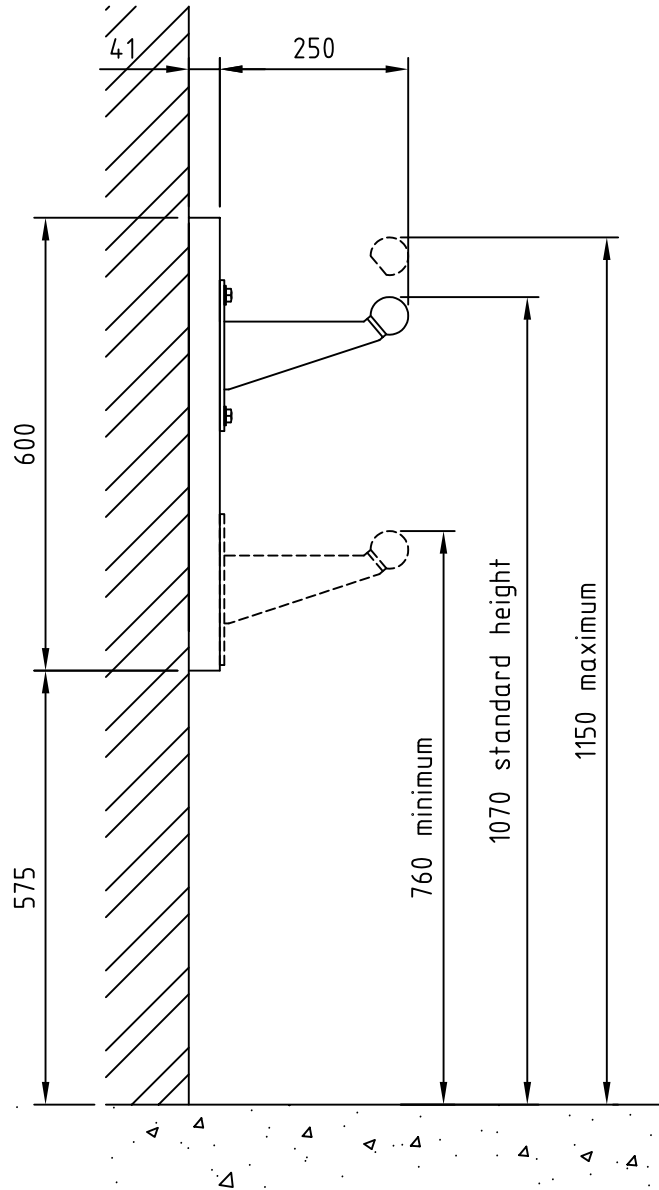


s t e

**australia
pty ltd**

PO Box 264, Annandale NSW 2038
28 Easter St, Leichhardt NSW 2040
Tel: 02 9560 6419
Fax: 02 9560 6429
E-mail: info@theatrequip.com.au

THEATREQUIP
com.au



THIS DRAWING IS THE PRIVATE PROPERTY
OF S.T.E. AUSTRALIA PTY. LTD.
UNDER NO CIRCUMSTANCES SHOULD IT BE
SHOWN OR GIVEN TO ANY THIRD PARTY
WITHOUT OUR WRITTEN CONSENT.
ALL LEGAL RIGHTS RESERVED.

TITLE **BALLET BARRE
STD WALL BRKT TYPE
GENERAL DIMENSIONS**

DRN MJR

DATE

SCALE

DRAWING NUMBER

S01-3

REV