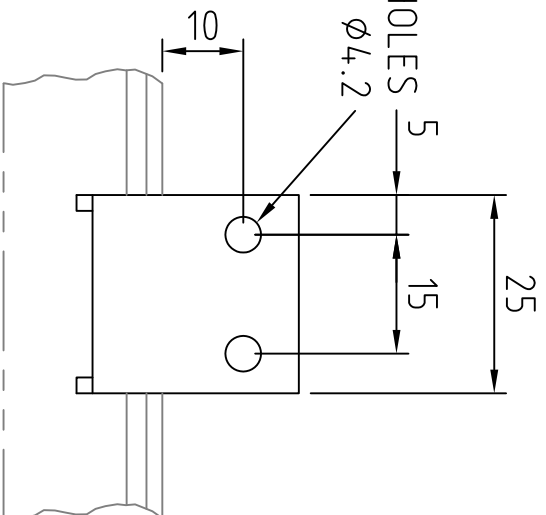
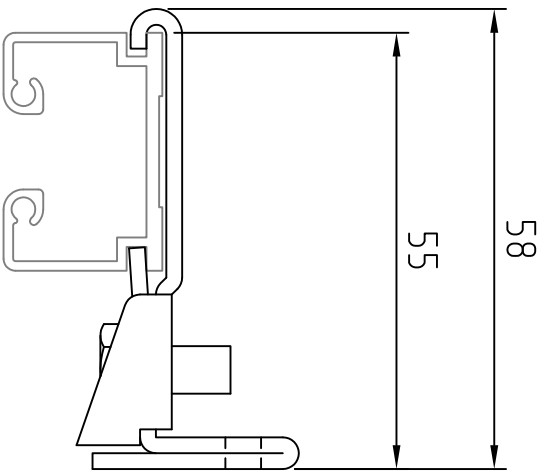
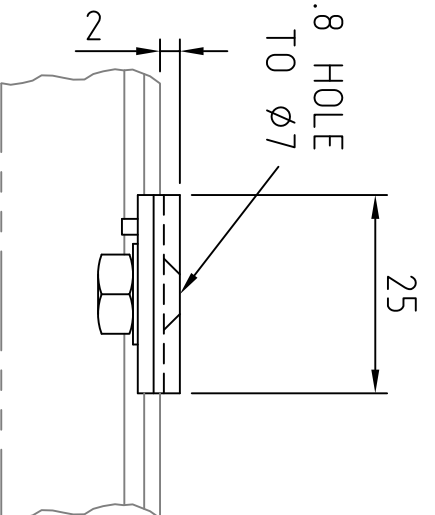
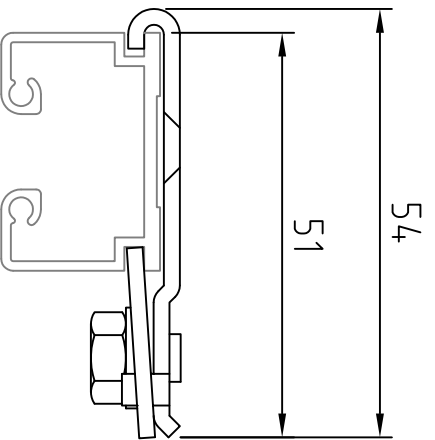


SAFE HANGING WEIGHT
 Runners - 5kg each
 (2kg recommended)
 30kg at 600mm support centres
 15kg at 900mm support centres



STANDARD WALL MOUNT BRACKET



STANDARD CEILING MOUNT BRACKET

s t e

australia
 pty ltd

P0 Box 264, Annandale NSW 2038
 28 Easter St, Leichhardt NSW 2040
 Tel: 02 9560 6419
 Fax: 02 9560 6429
 E-mail: info@theatrequip.com.au

THEATREQUIP
 .com.au

THIS DRAWING IS THE PRIVATE PROPERTY
 OF S.T.E. AUSTRALIA PTY. LTD.
 UNDER NO CIRCUMSTANCES SHOULD IT BE
 SHOWN OR GIVEN TO ANY THIRD PARTY
 WITHOUT OUR WRITTEN CONSENT.
 ALL LEGAL RIGHTS RESERVED.

TITLE 30Z STAGE TRACK
 DIMENSIONAL DETAILS

DRN	MJR
DATE	
SCALE	1:1

DRAWING NUMBER	30-01
----------------	-------

REV	0
-----	---